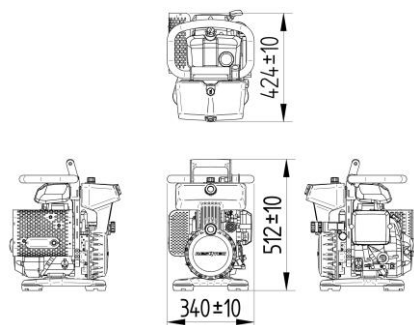


# TECHNICAL SPECIFICATIONS GX100 STO 3SR



## GX100 STO 3SR MIDI

NEO1 

HP/FF 

Nominal pressure	UltimatePressure™ 350 bar	UltimatePressure™ 350 bar
EN-13204 designation	STO	STO
+SMART auto speed regulator with manual override	No	No
Running time	Ca. 180 min	Ca. 180 min
Engine / power supply	Honda 2.1kW (2.8 HP) 4-stroke petrol	Honda 2.1kW (2.8 HP) 4-stroke petrol
Fuel tank capacity	0.77 liter	0.77 liter
Noise level at 1 meter distance (EN-13204)	Lpa 80 dB	Lpa 80 dB
NFPA emission sound level at 4 meter distance	Lpa 76 dB	Lpa 76 dB
Dimensions (L x W x H)	424 x 340 x 512 mm (±10 mm)	424 x 340 x 512 mm (±10 mm)
EN-13204 weight (ready use HF & fuel full)	26.5 kg (±0.2 kg)	26.6 kg (±0.2 kg)
Weight with HF but no fuel	25.8 kg (±0.2 kg)	25.9 kg (±0.2 kg)
Dry shipping weight (with motor oil)	22.6 kg (±0.2 kg)	22.7 kg (±0.2 kg)
Pump	3-stage radial piston	3-stage radial piston
Total hydraulic fluid capacity	3.8 liter	3.8 liter
Effective hydraulic fluid capacity	2.8 liter	2.8 liter
1st stage (0 – 120 bar)	5,883 cc/min (5.8 l/min)	5,883 cc/min (5.8 l/min)
2nd stage (120 – 240 bar)	3,153 cc/min (3.2 l/min)	3,153 cc/min (3.2 l/min)
3rd stage (240 – 350 bar)	1,918 cc/min (1.9 l/min)	1,918 cc/min (1.9 l/min)

## ACCESSORIES

Art. Nr.

LED light add-on	9500.1000
Elevation add-on 1,000-2,000m	3435.1020
Elevation add-on 2,000-3,000m	3435.2030
Elevation add-on 3,000-4,000m	3435.3040
Elevation add-on 4,000-5,000m	3435.4050



Information contained in this document is believed to be accurate. However RESQTEC does not guarantee the completeness or accuracy of any of the published information.



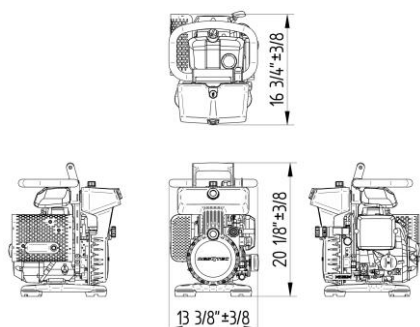
**RESQTEC Zumro B.V.**  
 Meer en Duin 82 | 2163 HC Lisse, the Netherlands

**T** +31 (0)252 419002 **F** +31 (0)252 411794  
**E** info@resqtec.com **W** www.resqtec.com

**RESQTEC®**

# TECHNICAL SPECIFICATIONS

## GX100 STO 3SR +SMART



### GX100 STO 3SR +SMART MIDI

NEO1 

HP/FF 

Nominal pressure	UltimatePressure™ 350 bar	UltimatePressure™ 350 bar
EN-13204 designation	STO	STO
+SMART auto speed regulator with manual override	Yes	Yes
Running time	Ca. 180 min	Ca. 180 min
Engine / power supply	Honda 2.1kW (2.8 HP) 4-stroke petrol	Honda 2.1kW (2.8 HP) 4-stroke petrol
Fuel tank capacity	0.77 liter	0.77 liter
Noise level at 1 meter distance (EN-13204)	Lpa 80 dB	Lpa 80 dB
Noise level at 1 meter distance (3,250 rpm)	Lpa 78 dB	Lpa 78 dB
Noise level at 1 meter distance (1,750 rpm)	Lpa 70 dB	Lpa 70 dB
NFPA emission sound level at 4 meter distance	Lpa 76 dB	Lpa 76 dB
Dimensions (L x W x H)	424 x 340 x 512 mm (±10 mm)	424 x 340 x 512 mm (±10 mm)
EN-13204 weight (ready use HF & fuel full)	27.2 kg (±0.2 kg)	27.2 kg (±0.2 kg)
Weight with HF but no fuel	26.4 kg (±0.2 kg)	26.5 kg (±0.2 kg)
Dry shipping weight (with motor oil)	23.2 kg (±0.2 kg)	23.3 kg (±0.2 kg)
Pump	3-stage radial piston	3-stage radial piston
Total hydraulic fluid capacity	3.8 liter	3.8 liter
Effective hydraulic fluid capacity	2.8 liter	2.8 liter
1st stage (0 – 120 bar)	5,883 cc/min (5.8 l/min)	5,883 cc/min (5.8 l/min)
2nd stage (120 – 240 bar)	3,153 cc/min (3.2 l/min)	3,153 cc/min (3.2 l/min)
3rd stage (240 – 350 bar)	1,918 cc/min (1.9 l/min)	1,918 cc/min (1.9 l/min)

### ACCESSORIES

Art Nr.

LED light add-on	9500.1000
Elevation add-on 1,000-2,000m	3435.1020
Elevation add-on 2,000-3,000m	3435.2030
Elevation add-on 3,000-4,000m	3435.3040
Elevation add-on 4,000-5,000m	3435.4050

Marian Hoppe Sp.j.  
 **SafeTech**  
 Technologia dla bezpieczeństwa

ul. Mikołaja Reja 38  
 Suchy Dwór, 81-198 Gdynia

tel./fax: +48 58 781 78 55

tel: +48 58 665 79 93

[info@safetech.net.pl](mailto:info@safetech.net.pl)

[www.safetech.net.pl](http://www.safetech.net.pl)



Information contained in this document is believed to be accurate. However RESQTEC does not guarantee the completeness or accuracy of any of the published information.



RESQTEC Zumro B.V.

Meer en Duin 82 | 2163 HC Lisse, the Netherlands

T +31 (0)252 419002

E [info@resqtec.com](mailto:info@resqtec.com)

F +31 (0)252 411794

W [www.resqtec.com](http://www.resqtec.com)

**RESQTEC**